

Mã đề 14

Họ và tên sinh viên: .....

Mã số sinh viên: .....

Lớp: .....

**Yêu cầu:**

1. Chỉ tô đen bằng viết chì cho những câu trả lời đúng nhất.
2. Nộp lại toàn bộ phần trả lời và phần câu hỏi.



**Phần trả lời:**

01	(A)	(B)	(C)	(D)	28	(A)	(B)	(C)	(D)	55	(A)	(B)	(C)	(D)
02	(A)	(B)	(C)	(D)	29	(A)	(B)	(C)	(D)	56	(A)	(B)	(C)	(D)
03	(A)	(B)	(C)	(D)	30	(A)	(B)	(C)	(D)	57	(A)	(B)	(C)	(D)
04	(A)	(B)	(C)	(D)	31	(A)	(B)	(C)	(D)	58	(A)	(B)	(C)	(D)
05	(A)	(B)	(C)	(D)	32	(A)	(B)	(C)	(D)	59	(A)	(B)	(C)	(D)
06	(A)	(B)	(C)	(D)	33	(A)	(B)	(C)	(D)	60	(A)	(B)	(C)	(D)
07	(A)	(B)	(C)	(D)	34	(A)	(B)	(C)	(D)	61	(A)	(B)	(C)	(D)
08	(A)	(B)	(C)	(D)	35	(A)	(B)	(C)	(D)	62	(A)	(B)	(C)	(D)
09	(A)	(B)	(C)	(D)	36	(A)	(B)	(C)	(D)	63	(A)	(B)	(C)	(D)
10	(A)	(B)	(C)	(D)	37	(A)	(B)	(C)	(D)	64	(A)	(B)	(C)	(D)
11	(A)	(B)	(C)	(D)	38	(A)	(B)	(C)	(D)	65	(A)	(B)	(C)	(D)
12	(A)	(B)	(C)	(D)	39	(A)	(B)	(C)	(D)	66	(A)	(B)	(C)	(D)
13	(A)	(B)	(C)	(D)	40	(A)	(B)	(C)	(D)	67	(A)	(B)	(C)	(D)
14	(A)	(B)	(C)	(D)	41	(A)	(B)	(C)	(D)	68	(A)	(B)	(C)	(D)
15	(A)	(B)	(C)	(D)	42	(A)	(B)	(C)	(D)	69	(A)	(B)	(C)	(D)
16	(A)	(B)	(C)	(D)	43	(A)	(B)	(C)	(D)	70	(A)	(B)	(C)	(D)
17	(A)	(B)	(C)	(D)	44	(A)	(B)	(C)	(D)					
18	(A)	(B)	(C)	(D)	45	(A)	(B)	(C)	(D)					
19	(A)	(B)	(C)	(D)	46	(A)	(B)	(C)	(D)					
20	(A)	(B)	(C)	(D)	47	(A)	(B)	(C)	(D)					
21	(A)	(B)	(C)	(D)	48	(A)	(B)	(C)	(D)					
22	(A)	(B)	(C)	(D)	49	(A)	(B)	(C)	(D)					
23	(A)	(B)	(C)	(D)	50	(A)	(B)	(C)	(D)					
24	(A)	(B)	(C)	(D)	51	(A)	(B)	(C)	(D)					
25	(A)	(B)	(C)	(D)	52	(A)	(B)	(C)	(D)					
26	(A)	(B)	(C)	(D)	53	(A)	(B)	(C)	(D)					
27	(A)	(B)	(C)	(D)	54	(A)	(B)	(C)	(D)					

**Part 1: Choose the best answer (7 points): (50 sentences)**

- 1 Complete this sentence: A lamp or a solenoid is an example of a .... output
- A Analog  
B Dicrete  
C Input  
D Software
- 2 Complete this sentence: A programming device is used to input the desired .....
- A Instructions  
B Constructions  
C Destructions  
D Comments
- 3 According to this information "CPU 1214 DC/DC/DC : Dimension W x H x D (mm) 110 x 100 x 75. The height and the wide of this device is .....
- A 110 mm and 100 mm  
B 100 mm and 110 mm  
C 100 mm and 75 mm  
D 75 mm and 110 mm
- 4 Complete this sentence: A special cable, referred to as a PC/PPI ....., is needed when a personal computer is used as a programming device
- A Cable  
B Line  
C Program  
D Software
- 5 Translate into Vietnamese: pushbutton
- A Công tắc tự giữ  
B Công tắc hành trình  
C CB  
D Nút nhấn
- 6 Translate into Vietnamese: screwdriver
- A Cái kéo  
B Cái búa  
C Cái tua vít  
D Cái khoan
- 7 Complete this sentence: This video player ... on batteries. There's no lead.
- A Runs  
B Ran  
C Running  
D Run
- 8 Suppose that 1 foot = 12 inches, so 1 cubic foot = ?
- A 1,287 cubic inches  
B 1,000 cubic inches  
C 1,872 cubic inches  
D 1,728 cubic inches
- 9 Complete this sentence: You can control the volume of a TV by ... a remote control
- A Use  
B Uses  
C Using  
D To use
- 10 Complete this sentence: software that is placed in hardware is called ...
- A Hardware  
B Malware  
C Middle-ware  
D Firmware
- 11 Complete this sentence: ..... deals with the design and manufacture of tools and machines
- A Mechanical engineering  
B Electrical engineering  
C Electronic engineering  
D Civil engineering
- 12 Complete this sentence: The sum of all powers of 3 for integers from 1 to 3 would be ...
- A 14  
B 36  
C 6  
D 16
- 13 Translate into Vietnamese: function
- A Hàm số  
B Biến số  
C Hằng số  
D Mẫu số
- 14 Complete this sentence: Most control systems are closed loops. They have ...
- A Forwardback  
B Backslash  
C Feedback  
D Feedslash

- 15 Complete this sentence: Which of the following is not required when creating or changing a PLC program?
- A Programming device  
B Programming Software  
C Connector Cable  
D Printer
- 17 Choose the correct answer: DSP would be ...
- A Digital signal processing  
B Digital signal processor  
C Digital signal program  
D Digital sensor processor
- 19 Translate into Vietnamese: potentiometer
- A Dung kháng  
B Trở kháng  
C Điện trở  
D Biến trở
- 21 Translate into Vietnamese: protective earth (PE)
- A Dây nối đất  
B Dây trung tính  
C Dây pha  
D Dây truyền động
- 23 Translate into English: cầu dao
- A Circular bulb  
B Circuit bulb  
C Circle breaker  
D Circuit breaker
- 25 Translate into Vietnamese: cable shield
- A Lõi cáp  
B Đầu cáp  
C Trục cáp  
D Vỏ cáp
- 27 Translate into Vietnamese: housing
- A Lõi cảm biến  
B Trục cảm biến  
C Tiếp điểm cảm biến  
D Vỏ cảm biến
- 16 Complete this sentence: When talking about computer or PLC memory, 1K refers to .....bits, bytes or word
- A 1024  
B 255  
C 8  
D 16
- 18 Translate into Vietnamese: differential amplifier
- A Khuếch đại đảo  
B Khuếch đại không đảo  
C Khuếch đại vi phân  
D Khuếch đại vi sai
- 20 Complete this sentence: ... can address at least 14 objects
- A 14 bits  
B 7 bits  
C 4 bits  
D 8 bits
- 22 Complete this sentence: The voltage law says that the sum of ..... around every ..... loop in the circuit must equal zero.
- A Currents / open  
B Currents / closed  
C Voltages / open  
D Voltages / closed
- 24 Translate into Vietnamese: insulator
- A Phần tử bao phủ  
B Phần tử dẫn truyền  
C Phần tử cách điện  
D Phần tử khử nhiễu
- 26 Translate into Vietnamese: neutral (N)
- A Dây pha  
B Dây nối đất  
C Dây trung tính  
D Dây truyền động
- 28 Translate into Vietnamese: Voltmeter
- A Vôn kế  
B Ampe kế  
C Ôm kế  
D V.O.M.

- 29 Dotted line would be ...  
A ~  
B ---  
C \*\*\*  
D ###
- 31 Translate into Vietnamese: clamp meter  
A Ampe kẹp  
B V.O.M.  
C Dao động ký  
D Máy phát xung
- 33 ... are used for measuring audio or radio frequency  
A Pressure sensors  
B Electromagnetic wattmeters  
C Energy meters  
D Pressure coils
- 35 Translate into Vietnamese: trace  
A Trục hoành  
B Tín hiệu  
C Đường đứt khúc  
D Các đường phụ
- 37 Translate into Vietnamese: Sliding switch  
A Ngõ vào Kênh 1  
B Ngõ vào Kênh 2  
C Cần chuyển đổi kênh  
D Độ lớn tín hiệu
- 39 Translate into English: vỏ máy  
A Motor frame  
B Drive shaft  
C Armature  
D Bearings
- 41 Choose the correct label  

- A Harmful  
B Highly flammable  
C Explosive  
D Toxic
- 30 Common connection would be ...  
A GND  
B Continuity test  
C Current terminal  
D Positive terminal
- 32 Line voltage (Line-to-line voltage) could be measured using ...  
A 1000 DCV range  
B 250 ACV range  
C x1K-Ohm range  
D 1000 ACV range
- 34 Translate into Vietnamese: central lines  
A Đường kẻ  
B Đường tín hiệu  
C Trục tọa độ  
D Các đường phụ
- 36 Translate into Vietnamese: power indicator  
A Dây cảm  
B Ô điện  
C Đường truyền  
D Đèn báo
- 38 Translate into English: bộ góp  
A Field windings  
B Commutator  
C Armature  
D Brush
- 40 Translate into English: cuộn dây  
A Field windings  
B Drive shaft  
C Armature  
D Bearings
- 42 Choose the correct label  

- A Harmful  
B Highly flammable  
C Explosive  
D Toxic

**Complete the following text**

**Siemens PLCs**

Siemens makes several PLC (43)..... lines in the SIMATIC S7 family. They are: S7-200, S7-300 and S7-400.

**S7-200**

The S7-200 is (44)..... to as a micro PLC because of its smallsize. The S7-200 has a brick design which means that the power supply and (45)..... are on-board. The S7-200 can be used on smaller, stand-alone applications such as (46)....., car washes, or mixing machines. It can also be used on more complex industrial applications such as bottling and packaging machines.

**S7-300 and S7-400**

The S7-300 and S7-400 PLCs are used in more complex (47)..... that support a greater number of I/O points. Both PLCs are (48)..... and expandable. The power supply and I/O consist of (49) .... modules connected to the CPU. Choosing either the S7-300 or S7-400 depends on the complexity of the task and possible future expansion. Your Siemens sales representative can provide you with additional (50)... on any of the Siemens PLCs.

43 Choose the correct word

- A program
- B machine
- C signal
- D product

44 Choose the correct word

- A prograded
- B referred
- C signal
- D support

45 Choose the correct word

- A I/O
- B machine
- C output
- D inputs

46 Choose the correct word

- A program
- B machine
- C elevator
- D signal

47 Choose the correct word

- A applications
- B programs
- C engineering
- D engineer

48 Choose the correct word

- A I/O
- B program
- C controled
- D modular

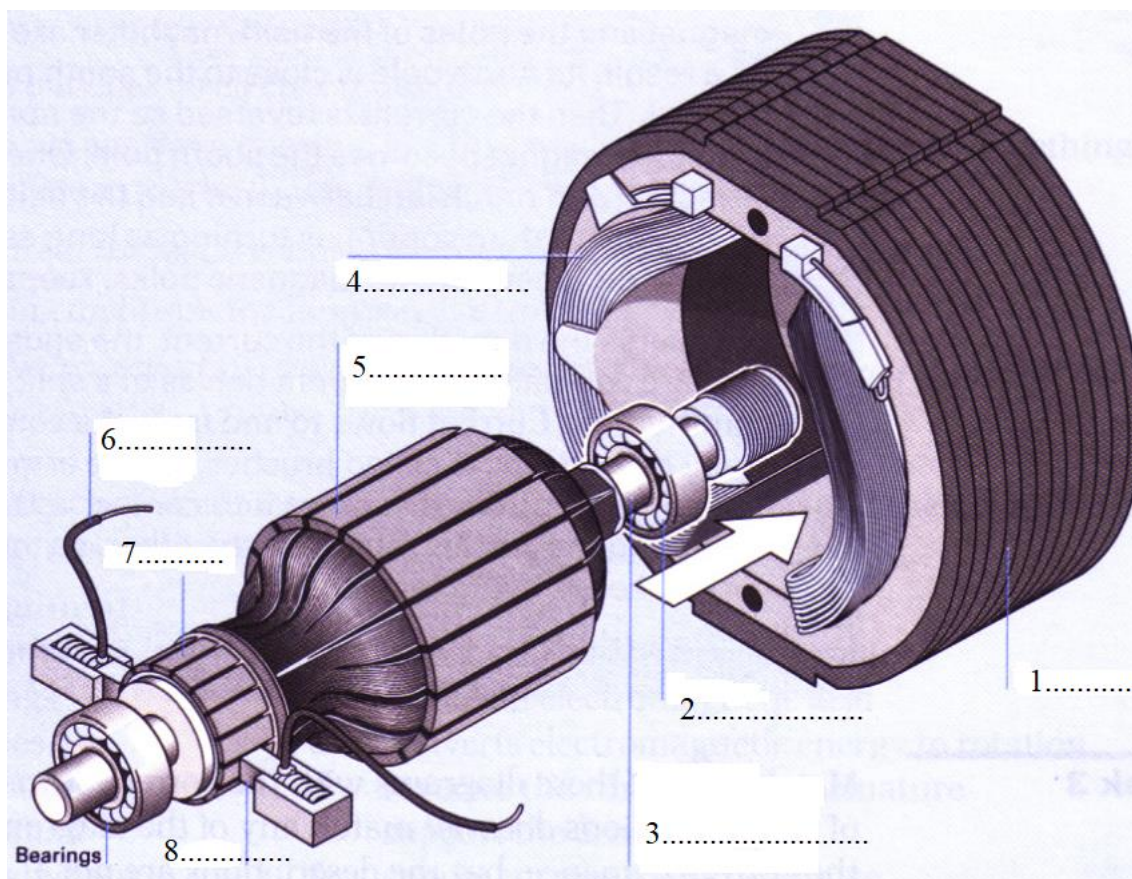
49 Choose the correct word

- A separate
- B correct
- C closed
- D open

50 Choose the correct word

- A separate
- B program
- C information
- D modular

**Part 2: Complete the graph below (2 points)**



**Part 3: Make a sentence with these words (1 point)**

1. electricity / be (is, are) concerned with / electrical engineers / the production and distribution / of

.....

2. mechanical / an electric motor / electrical energy/ to / energy / convert(s)

.....

3. if / level / be (is, are)/ low / are opened / the water / the inlet valves

.....

4. when / always / eye / protection / operating / wear(s)

.....

*Tp. HCM, ngày 07 tháng 08 năm 2020*

**BỘ MÔN TỰ ĐỘNG**

**GIÁO VIÊN RA ĐỀ**

**Th.S Nguyễn Thủy Đăng Thanh**

CỘNG HÒA XÃ HỘI CHỦ NGHĨA VIỆT NAM  
Độc lập – Tự do – Hạnh phúc

**ĐÁP ÁN ĐỀ THI**  
**MÔN THI: ANH VĂN CHUYÊN NGÀNH**  
**LỚP: CĐTĐ18**  
**Mã đề thi số: mã đề 13**  
**Thời gian: 75 phút**

	<b>Nội dung</b>				<b>Điểm</b>	
<b>Part 1</b>	1B	2A	3B	4A	<b>7đ</b>	
	5D	6C	7A	8D		
	9C	10D	11A	12B		
	13A	14C	15D	16A		
	17A	18C	19D	20C		
	21A	22D	23D	24C		
	25C	26C	27D	28A		
	29B	30A	31A	32D		
	33B	34C	35B	36D		
	37C	38B	39A	40A		
	41B	42D	43D	44B		
	45A	46C	47A	48D		
	49A	50C				
	<b>Mỗi câu đúng: 0.14 điểm</b>					
	<b>Part 2</b>	1. Motor frame 2. Bearings 3. Drive shaft 4. Field windings 5. Armature 6. Electrical supply				<b>2đ</b>

	7. Commutator 8. Brush <b>Mỗi từ đúng: 0.25 điểm</b>	
<b>Part 3</b>	1. Electrical engineers are concerned with the production and distribution of electricity 2. An electric motor converts electrical energy to mechanical energy 3. If the water level is low, the inlet valves are opened 4. Always wear protection eye when operating <b>Mỗi câu đúng: 0.25 điểm</b>	<b>1đ</b>

*Tp.HCM, Ngày 07 Tháng 08 Năm 2020*

**BỘ MÔN TỰ ĐỘNG**

**GIÁO VIÊN RA ĐỀ**

**Th.S Nguyễn Thủy Đăng Thanh**



---

---

*TP. HCM, Ngày 07 Tháng 08 Năm 2020*

**BỘ MÔN TỰ ĐỘNG**

**GIÁO VIÊN RA ĐỀ**

**Th.S Nguyễn Thủy Đăng Thanh**





