

Mã đề 13

Họ và tên sinh viên: .....

Mã số sinh viên: .....

Lớp: .....

**Yêu cầu:**

1. Chỉ tô đen bằng viết chì cho những câu trả lời đúng nhất.
2. Nộp lại toàn bộ phần trả lời và phần câu hỏi.

**Phần trả lời:**

01	(A)	(B)	(C)	(D)	28	(A)	(B)	(C)	(D)	55	(A)	(B)	(C)	(D)
02	(A)	(B)	(C)	(D)	29	(A)	(B)	(C)	(D)	56	(A)	(B)	(C)	(D)
03	(A)	(B)	(C)	(D)	30	(A)	(B)	(C)	(D)	57	(A)	(B)	(C)	(D)
04	(A)	(B)	(C)	(D)	31	(A)	(B)	(C)	(D)	58	(A)	(B)	(C)	(D)
05	(A)	(B)	(C)	(D)	32	(A)	(B)	(C)	(D)	59	(A)	(B)	(C)	(D)
06	(A)	(B)	(C)	(D)	33	(A)	(B)	(C)	(D)	60	(A)	(B)	(C)	(D)
07	(A)	(B)	(C)	(D)	34	(A)	(B)	(C)	(D)	61	(A)	(B)	(C)	(D)
08	(A)	(B)	(C)	(D)	35	(A)	(B)	(C)	(D)	62	(A)	(B)	(C)	(D)
09	(A)	(B)	(C)	(D)	36	(A)	(B)	(C)	(D)	63	(A)	(B)	(C)	(D)
10	(A)	(B)	(C)	(D)	37	(A)	(B)	(C)	(D)	64	(A)	(B)	(C)	(D)
11	(A)	(B)	(C)	(D)	38	(A)	(B)	(C)	(D)	65	(A)	(B)	(C)	(D)
12	(A)	(B)	(C)	(D)	39	(A)	(B)	(C)	(D)	66	(A)	(B)	(C)	(D)
13	(A)	(B)	(C)	(D)	40	(A)	(B)	(C)	(D)	67	(A)	(B)	(C)	(D)
14	(A)	(B)	(C)	(D)	41	(A)	(B)	(C)	(D)	68	(A)	(B)	(C)	(D)
15	(A)	(B)	(C)	(D)	42	(A)	(B)	(C)	(D)	69	(A)	(B)	(C)	(D)
16	(A)	(B)	(C)	(D)	43	(A)	(B)	(C)	(D)	70	(A)	(B)	(C)	(D)
17	(A)	(B)	(C)	(D)	44	(A)	(B)	(C)	(D)					
18	(A)	(B)	(C)	(D)	45	(A)	(B)	(C)	(D)					
19	(A)	(B)	(C)	(D)	46	(A)	(B)	(C)	(D)					
20	(A)	(B)	(C)	(D)	47	(A)	(B)	(C)	(D)					
21	(A)	(B)	(C)	(D)	48	(A)	(B)	(C)	(D)					
22	(A)	(B)	(C)	(D)	49	(A)	(B)	(C)	(D)					
23	(A)	(B)	(C)	(D)	50	(A)	(B)	(C)	(D)					
24	(A)	(B)	(C)	(D)	51	(A)	(B)	(C)	(D)					
25	(A)	(B)	(C)	(D)	52	(A)	(B)	(C)	(D)					
26	(A)	(B)	(C)	(D)	53	(A)	(B)	(C)	(D)					
27	(A)	(B)	(C)	(D)	54	(A)	(B)	(C)	(D)					

**Part 1: Choose the best answer (7 points): (50 sentences)**

- 1 Complete this sentence: The ..... makes decisions and executes control instructions based on the input signals
- A CPU  
B Control  
C Unit  
D Software
- 2 Complete this sentence: A ..... consists of one or more instructions that accomplish a task
- A Hardware  
B Software  
C CPU  
D Program
- 3 Translate into English: cái cưa
- A Spanner  
B Saw  
C Scissors  
D Screwdriver
- 4 Translate into English: ngành tự động
- A Electrical engineering  
B Electronic engineering  
C Automation  
D Automobile
- 5 Translate into Vietnamese: pliers
- A Cái kéo  
B Cái kềm  
C Cái búa  
D Cái cưa
- 6 Translate into Vietnamese: pushbutton
- A Công tắc tự giữ  
B Công tắc hành trình  
C Nút nhấn  
D Cảm biến
- 7 PLCs referred to as:
- A Controllable programs  
B Control units  
C Programmable Local Controllers  
D Programmable Controllers
- 8 Translate into English: cảm biến áp suất
- A Pressure sensor  
B Temperature sensor  
C Distance sensor  
D Electromagnetic sensor
- 9 Complete this sentence: Remember to put the lights ... when you go
- A On / off  
B Out / on  
C Out / off  
D In / out
- 10 Complete this sentence: PLCs consist of ... modules, a Central Processing Unit (CPU), and ... modules
- A Inside / outside  
B On / off  
C Positive / negative  
D Input / output
- 11 Translate into Vietnamese: actuator
- A Phần tử đầu vào  
B Phần tử điều khiển  
C Phần tử chấp hành  
D Phần tử hiển thị
- 12 Complete this sentence: A programming device is used to input the desired ...
- A Instructions  
B Constructions  
C Destructions  
D Comments
- 13 Complete this sentence: ... is a PLC programming language that uses components resembling elements used in line diagram
- A Statement list  
B Ladder logic  
C GRAFCET  
D Function block diagram
- 14 Complete this sentence: The temperature sensor ... the water temperature and ... it to the control unit
- A Ensures, receives  
B Measure, signal  
C Signals, measures  
D Measures, sends

- 15 Choose the correct answer: The stop conditions would be ...  
A i--;  
B int i=1;  
C i++;  
D i<=100;
- 17 Complete this sentence: Mechanical engineering ... concerned with machines  
A Is  
B Are  
C Were  
D Be
- 19 Translate into Vietnamese: measurand  
A Đối tượng đầu ra  
B Đối tượng nhiễu  
C Đối tượng điều chỉnh  
D Đối tượng đo
- 21 Translate into Vietnamese: inverting amplifier  
A Khuếch đại đảo  
B Khuếch đại không đảo  
C Mạch đệm  
D Mạch tích phân
- 23 Translate into English: nguồn áp  
A Current source  
B Voltage source  
C Direct current  
D Alternating voltage
- 25 Complete this sentence: At every node, the sum of all ... entering or leaving a node must equal zero.  
A Currents  
B Closed  
C Open  
D Voltages
- 27 Translate into Vietnamese: line  
A Dây nối đất  
B Dây trung tính  
C Dây pha  
D Dây truyền động
- 29 Translate into Vietnamese: conductor
- 16 Choose the correct answer: 'backslash' would be ...  
A /  
B \  
C //  
D \\
- 18 Complete this sentence: Electrical engineers are concerned with the production and ... of electricity to homes, offices, industry, etc.  
A Districts  
B Disconnection  
C Discrete  
D Distribution
- 20 Translate into Vietnamese: microcontroller  
A Vi xử lý  
B Vi điều khiển  
C Vi tính  
D Bộ điều khiển khả trình
- 22 Translate into Vietnamese: high impedance  
A Trở kháng cao  
B Trở kháng thấp  
C Dung kháng cao  
D Dung kháng thấp
- 24 Translate into Vietnamese: fuse  
A Công tắc  
B Cầu chì  
C Nút nhấn  
D Động cơ
- 26 Translate into English: tiếp điểm thường đóng  
A Normally button  
B Normally switch  
C Normally open  
D Normally closed
- 28 Translate into Vietnamese: amplifier  
A Bộ cảm biến  
B Bộ xử lý tín hiệu  
C Bộ khuếch đại  
D Bộ chỉnh lưu
- 30 Translate into Vietnamese: magnetic field

- A Phần tử bao phủ
- B Phần tử dẫn truyền
- C Phần tử cách điện
- D Phần tử khử nhiễu

31 Translate into Vietnamese: coaxial cable

- A Cáp xoắn
- B Cáp quang
- C Cáp đồng trục
- D Cáp điện

33 V.O.M. stands for ...

- A Volt-ohm-millimeter
- B Volt-omega-milliammeter
- C Volt-on-milliammeter
- D Volt-ohm-milliammeter

35 Beeper would be ...

- A GND
- B Current terminal
- C Continuity test
- D Positive terminal

37 Complete this sentence: Civil engineering is concerned with making bridges, ..., airports, ect

- A suits
- B coal
- C clothes
- D roads

39 Translate into Vietnamese: horizontal line

- A Trục hoành
- B Đường tín hiệu
- C Đường đứt khúc
- D Các đường phụ

41 Choose the correct label



- A Harmful
- B Corrosive
- C Explosive
- D Toxic

- A Từ trường
- B Điện trường
- C Trường điện từ
- D Tĩnh điện

32 Translate into English: tín hiệu tương tự

- A Digital signal
- B Analog signal
- C Input signal
- D Output signal

34 Wavy line would be ...

- A ~
- B ---
- C \*\*\*
- D ###

36 Positive connection is used for ...

- A Current measurement
- B Voltage measurement
- C Height measurement
- D Electromagnetic measurement

38 Complete this sentence: ..... deals with the generation and distribution of electricity

- A Mechanical engineering
- B Electrical engineering
- C Electronic engineering
- D Civil engineering

40 Translate into Vietnamese: intensity of trace

- A Cường độ tín hiệu
- B Biên độ tín hiệu
- C Tần số tín hiệu
- D Chu kỳ tín hiệu

42 Choose the correct label



- A Harmful
- B Corrosive
- C Explosive
- D Toxic

**Complete the following text**

Most (43)..... system are closed loops. That means they incorporate a way of checking that the output is (44)..... In other words, they have feedback. The (45)..... in a central heating system provides constant feedback to the control unit

The control system of the modern washing (46) ..... has to take into account several different factors. These are door position, water level, water (47)....., wash and spin times, and drum speeds. Most of them are decided when you select which washing (48)..... to use.

The control unit is the heart of the system. It receives and sends out (49)..... which control all the activities of the machine. It is also capable of diagnosing (50)..... which may occur, stopping the program, and informing the service engineer what is wrong.

43 Choose the correct word

- A signal
- B control
- C units
- D instructions

44 Choose the correct word

- A correct
- B convert
- C right
- D wrong

45 Choose the correct word

- A sensor
- B signals
- C thermostat
- D unit

46 Choose the correct word

- A tool
- B signals
- C feedback
- D machine

47 Choose the correct word

- A temperature
- B signals
- C thermostat
- D pressure

48 Choose the correct word

- A tool
- B signals
- C program
- D machine

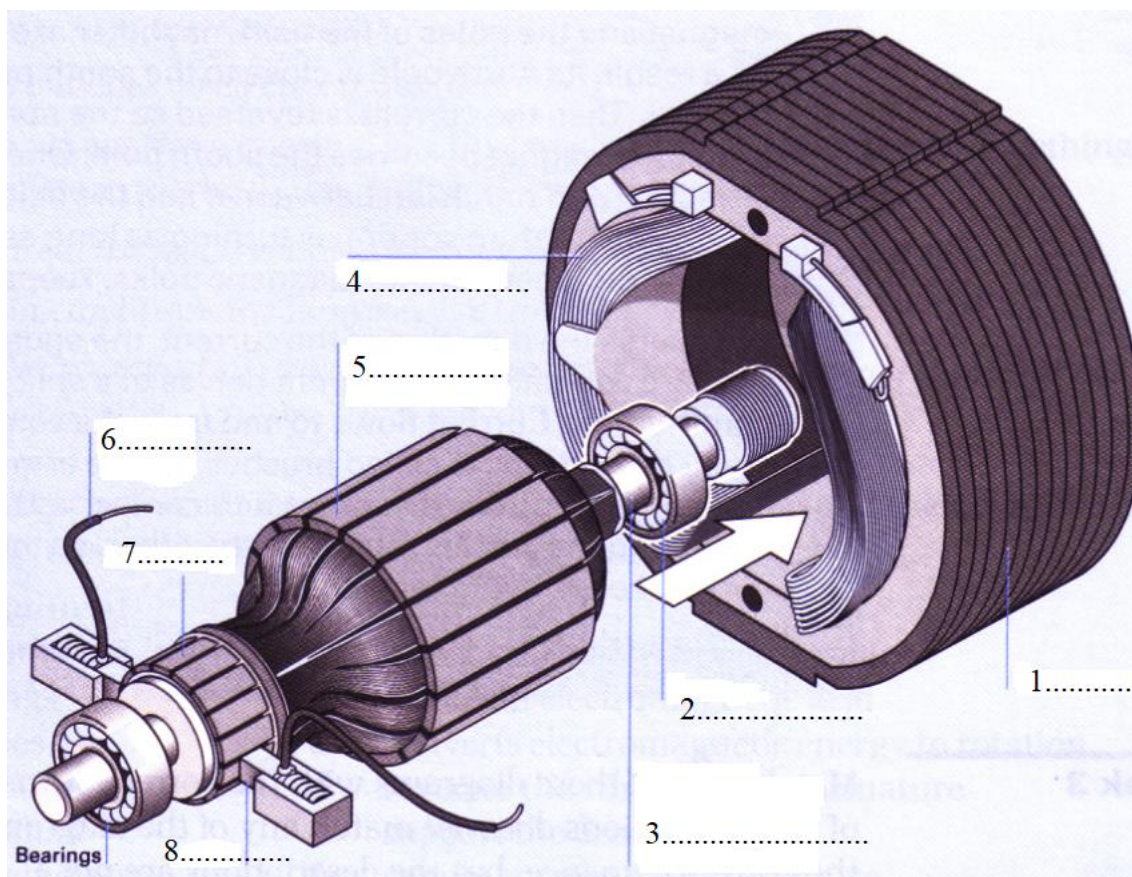
49 Choose the correct word

- A sensor
- B signals
- C thermostat
- D unit

50 Choose the correct word

- A faults
- B signal
- C feedback
- D machine

**Part 2: Complete the graph below (2 points)**



**Part 3: Make a sentence with these words (1 point)**

1. electricity / be (is, are) concerned with / electrical engineers / the production and distribution / of

.....

2. mechanical / an electric motor / electrical energy/ to / energy / convert(s)

.....

3. if / level / be (is, are) / low / are opened / the water / the inlet valves

.....

4. when / always / eye / protection / operating / wear(s)

.....

*Tp. HCM, ngày 07 tháng 08 năm 2020*

**BỘ MÔN TỰ ĐỘNG**

**GIÁO VIÊN RA ĐỀ**

CỘNG HÒA XÃ HỘI CHỦ NGHĨA VIỆT NAM  
Độc lập – Tự do – Hạnh phúc

**ĐÁP ÁN ĐỀ THI**  
**MÔN THI: ANH VĂN CHUYÊN NGÀNH**  
**LỚP: CĐTĐ18**  
**Mã đề thi số: mã đề 13**  
**Thời gian: 75 phút**

	Nội dung				Điểm
<b>Part 1</b>	1A	2D	3B	4C	<b>7đ</b>
	5B	6C	7D	8A	
	9C	10D	11C	12A	
	13B	14D	15D	16B	
	17A	18D	19D	20B	
	21A	22A	23B	24B	
	25A	26D	27C	28C	
	29B	30A	31C	32B	
	33D	34A	35C	36B	
	37D	38B	39A	40A	
	41B	42A	43B	44A	
	45C	46D	47A	48C	
	49B	50A			
	<b>Mỗi câu đúng: 0.14 điểm</b>				
<b>Part 2</b>	1. Motor frame 2. Bearings 3. Drive shaft 4. Field windings 5. Armature 6. Electrical supply				<b>2đ</b>

	7. Commutator 8. Brush <b>Mỗi từ đúng: 0.25 điểm</b>	
<b>Part 3</b>	1. Electrical engineers are concerned with the production and distribution of electricity 2. An electric motor converts electrical energy to mechanical energy 3. If the water level is low, the inlet valves are opened 4. Always wear protection eye when operating <b>Mỗi câu đúng: 0.25 điểm</b>	<b>1d</b>

*TP. HCM, Ngày 07 Tháng 08 Năm 2020*

**BỘ MÔN TỰ ĐỘNG**

**GIÁO VIÊN RA ĐỀ**

**Th.S Nguyễn Thủy Đăng Thanh**



