

Giao trinh DKQT / PLC_1 [CPU 1214C DC/DC/DC] / Program blocks

Cau 2 [OB1]

Cau 2 Properties

General

Name	Cau 2	Number	1	Type	OB
Language	LAD	Numbering	Automatic		

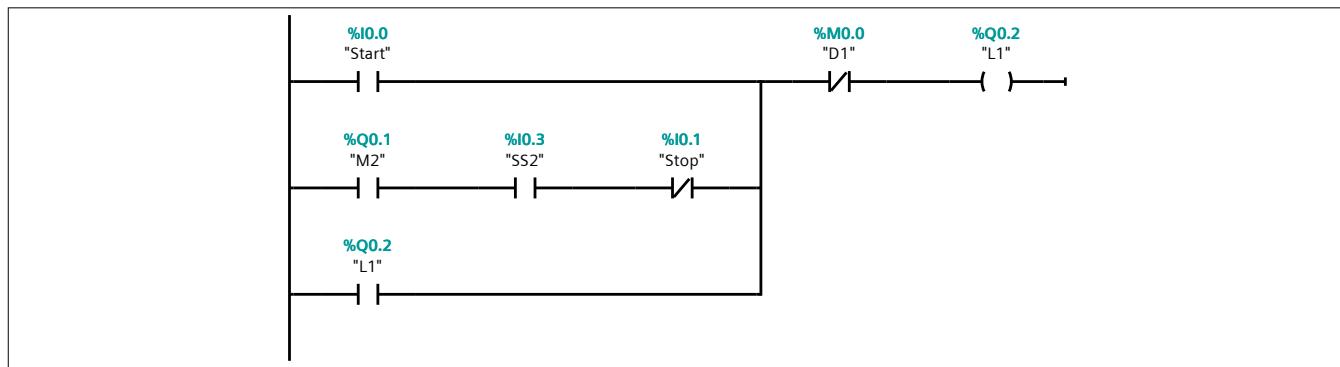
Information

Title	"Main Program Sweep (Cycle)"	Author		Comment	
Family		Version	0.1	User-defined ID	

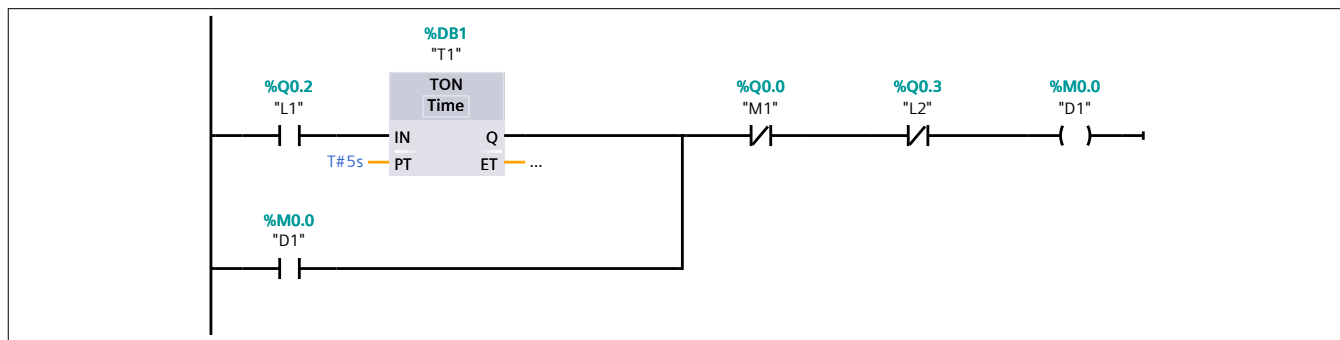
Main

Name	Data type	Default value
▼ Input		
Initial_Call	Bool	
Remanence	Bool	
Temp		
Constant		

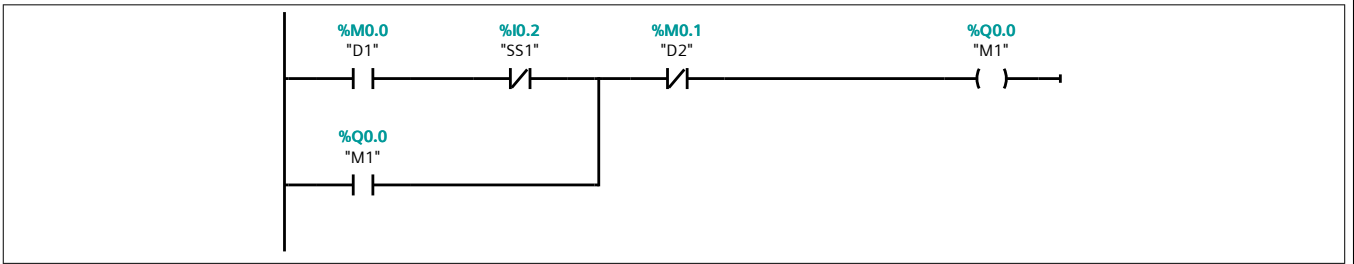
Network 1: L1



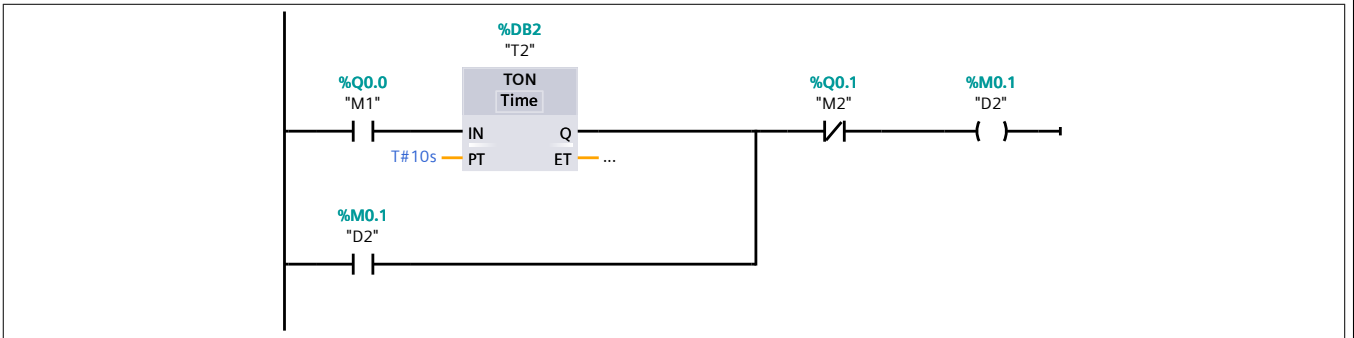
Network 2: D1



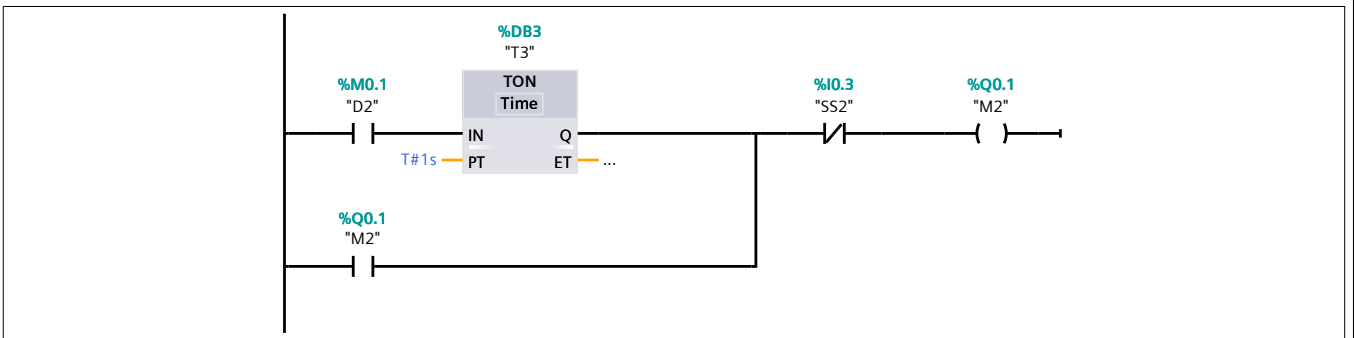
Network 3: M1



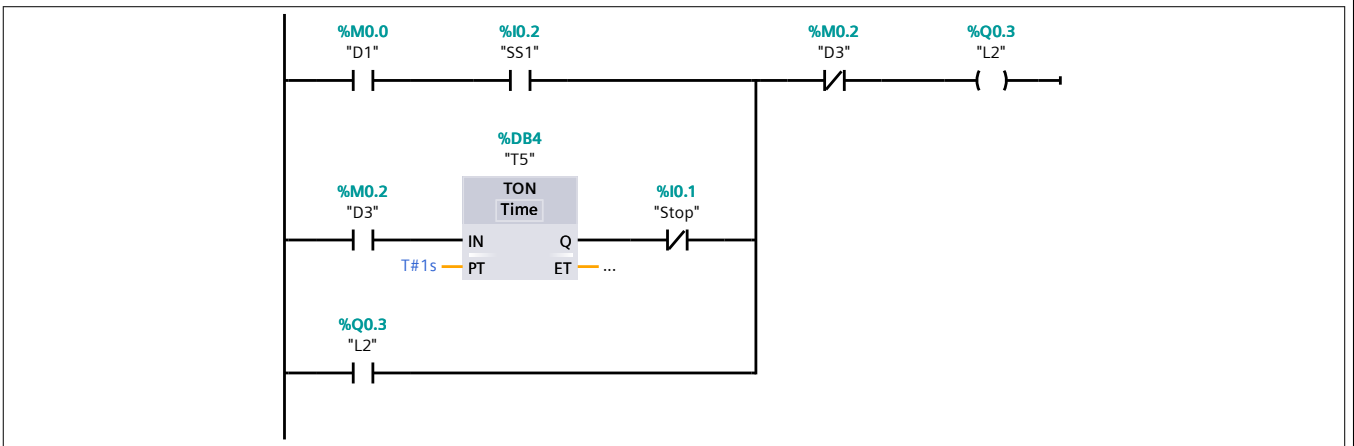
Network 4: D2



Network 5: M2



Network 6: L2



Network 7: D3

