

Main [OB1]

Main Properties

General

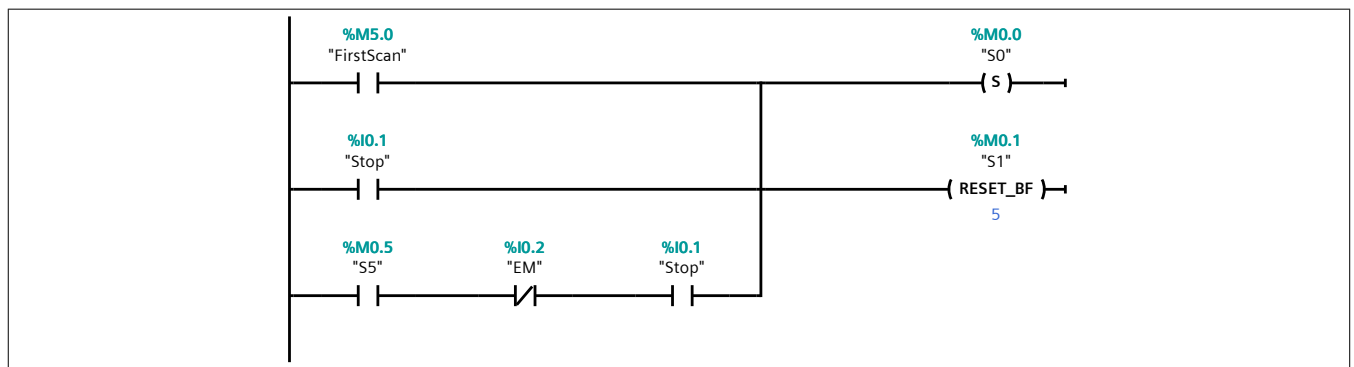
Name	Main	Number	1	Type	OB
Language	LAD	Numbering	Automatic		

Information

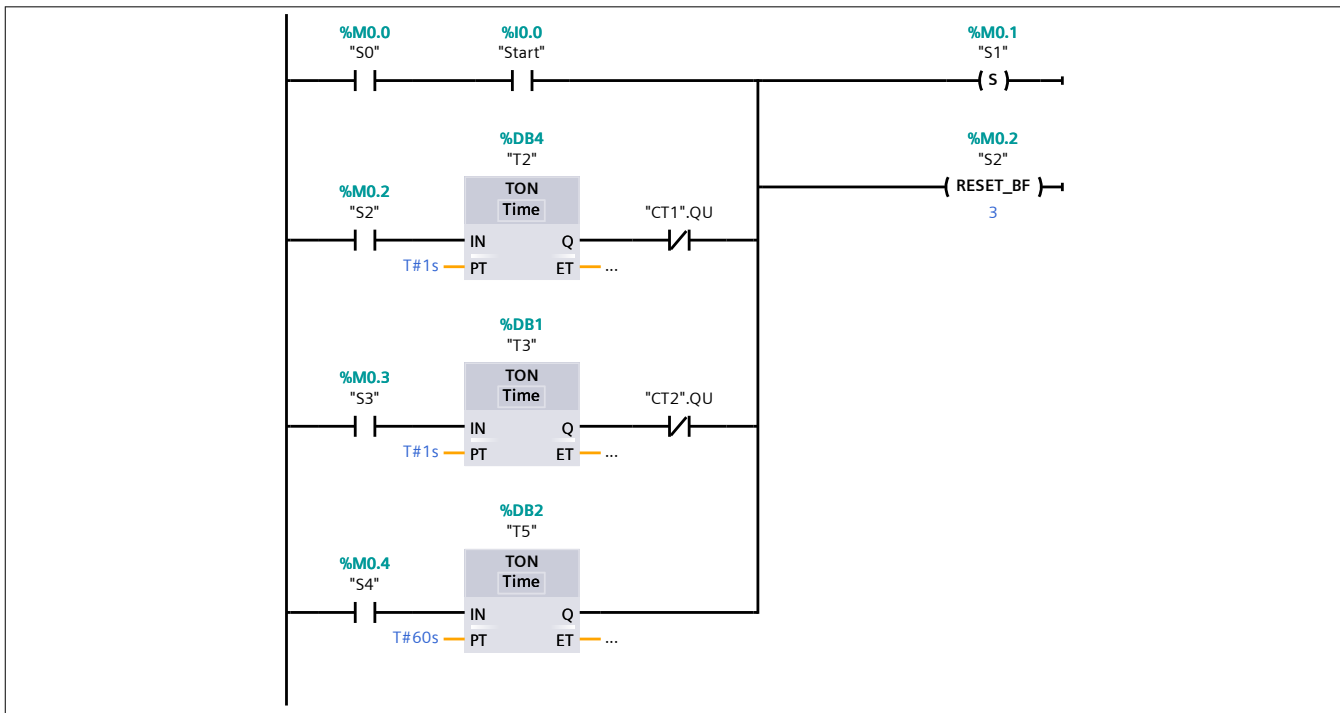
Title	"Main Program Sweep (Cycle)"	Author		Comment	
Family		Version	0.1	User-defined ID	

Name	Data type	Default value
▼ Input		
Initial_Call	Bool	
Remanence	Bool	
Temp		
Constant		

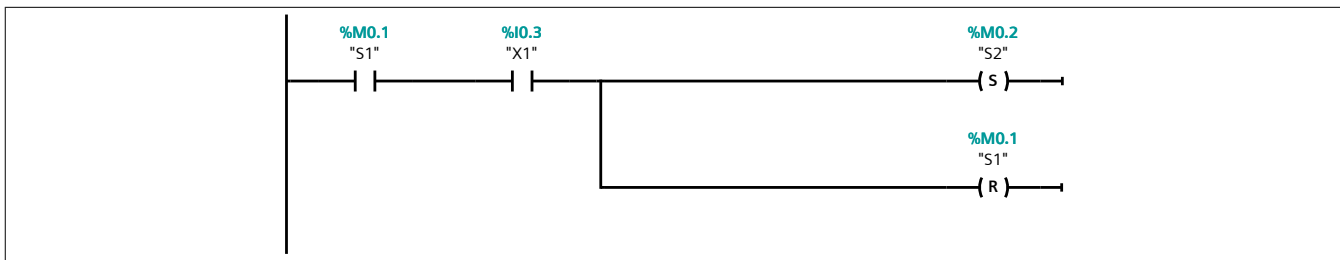
Network 1: S0



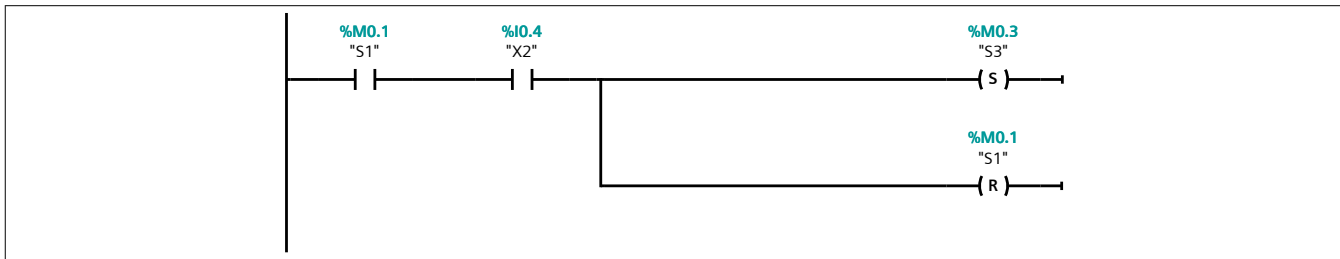
Network 2: S1



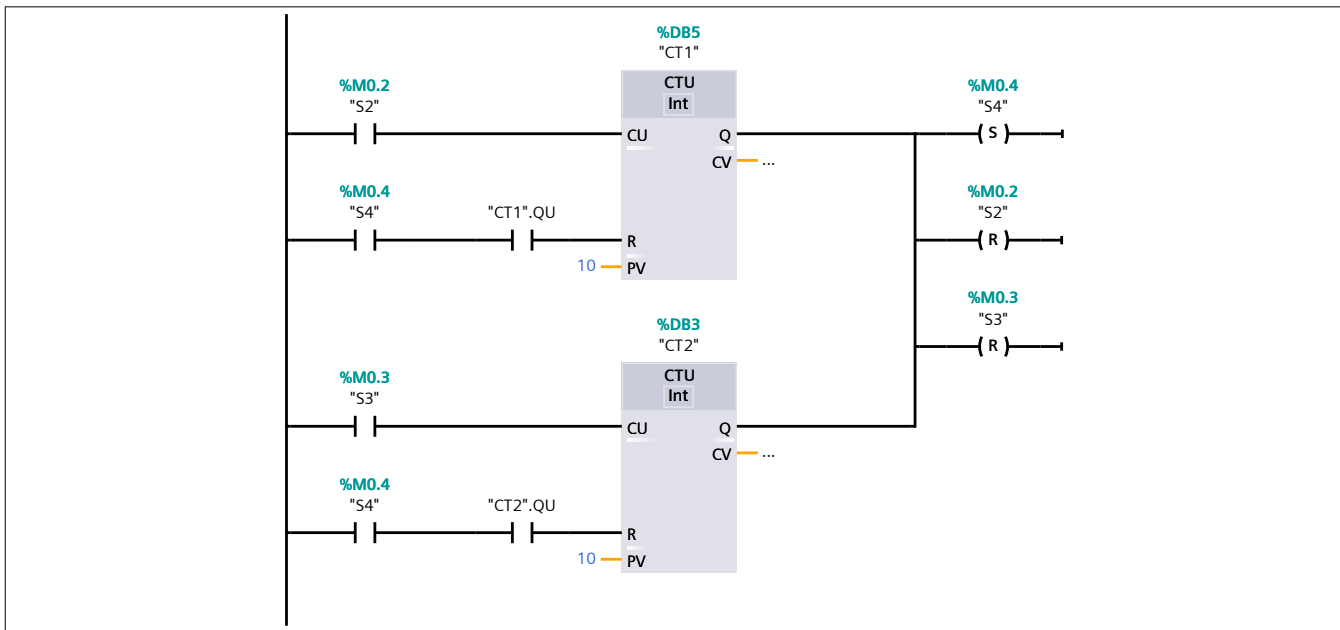
Network 3: S2



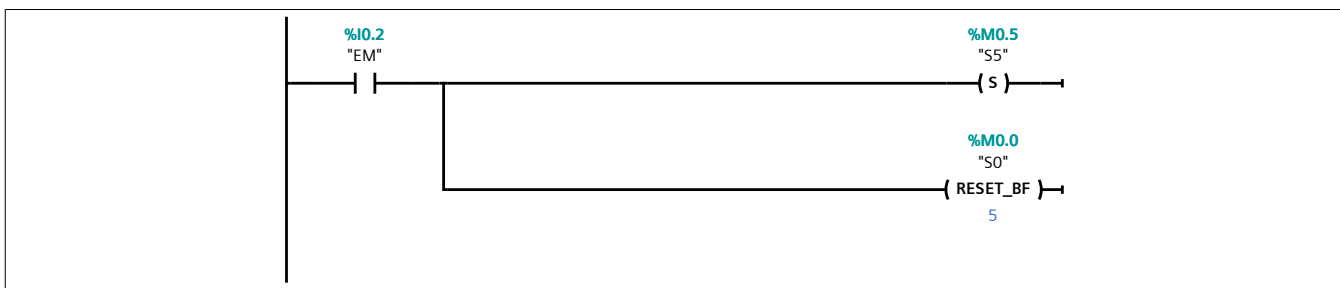
Network 4: S3



Network 5: S4



Network 6: S5



Network 7:

