

**TRƯỜNG CĐKT CAO THẮNG**  
**KHOA ĐIỆN – ĐIỆN LẠNH**

**Độc lập – Tự do – Hạnh phúc**

**ĐỀ THI**

**MÔN: ANH VĂN CHUYÊN NGÀNH**

**LỚP: CĐTĐ16**

**Mã đề thi số: AVCN\_01**

**Ngày thi: 12/06/2018**

Thời gian: 75 phút (Không kể thời gian chép/phát đề thi)

Sinh viên **KHÔNG** được sử dụng tài liệu

**PART 1:** Matching column A with column B and fill the meaning of that word (4 points).

<b>COLUMN A</b>	<b>COLUMN B</b>
1. Experts.	A. Another way to call is “elevator”.
2. Maintenance	B. An electronic device that detects change or movement of something.
3. Electronic engineering	C. Something is arranged and cleaned up.
4. Lift	D. The act of breaking.
5. Manufacture	E. Check and repair the machine regularly.
6. Convert	F. Nearly meaning with “dangerous”.
7. Injury	G. Makes resistance or delay to something.
8. Tidy	H. Develops components and equipment for communications, computing and so on.
9. Occupation	I. Usually referred as DC in electricity.
10. Condition	J. Similar to “job” or “career”.
11. Breakage	K. Persons at professional level.
12. Unsafe	L. A place or location.
13. Position	M. The making or producing of something.
14. Sensor	N. Total in opposite side.
15. Hindrance	O. A mode or state of being.
16. Attraction	P. Someone is hurt or harmed.
17. Direct current	Q. Similar to a thief.
18. Reverse	R. The action or power makes interest, pleasure.
19. Thermometer	S. To change something into another form.
20. Burglar	T. An instrument for measuring temperature.

- 1- .....
- 2- .....
- 3- .....
- 4- .....
- 5- .....
- 6- .....
- 7- .....
- 8- .....
- 9- .....
- 10- .....
- 11- .....
- 12- .....
- 13- .....
- 14- .....
- 15- .....
- 16- .....
- 17- .....
- 18- .....
- 19- .....
- 20- .....

**PART 2:** Fill the following words appropriately into paragraphs below: (3points)

2.1- Paragraph 1:

Processing	Ventilation	X-ray machines	Plane
Supermakets	Harbours	Homes	Engineering

**Transport:** Cars, trains, ships, and (1)..... are all products of mechanical engineering. Mechanical engineers are also involved in support services such as roads, rail track, (2)....., and bridges.

**Food (3).....:** Mechanical engineers design, develop, and make the machines and the processing equipment for harvesting, preparing and preserving the foods and drinks that fill the (4).....

**Medical (5).....:** Body scanners,(6)....., life-support systems, and other high tech equipment result from mechanical and electrical engineers combining with medical experts to convert ideas into life-saving and life-preserving products.

**Building services:** electrical engineers provide all the services we need in our (7)..... and places of work, including lighting, heating, (8)....., air-conditioning, refrigeration and lifts.

2.2- Paragraph 2:

Water temperature	Closed	Informed	Valves
Control unit	Pressure sensor	Received	

**Door position:**

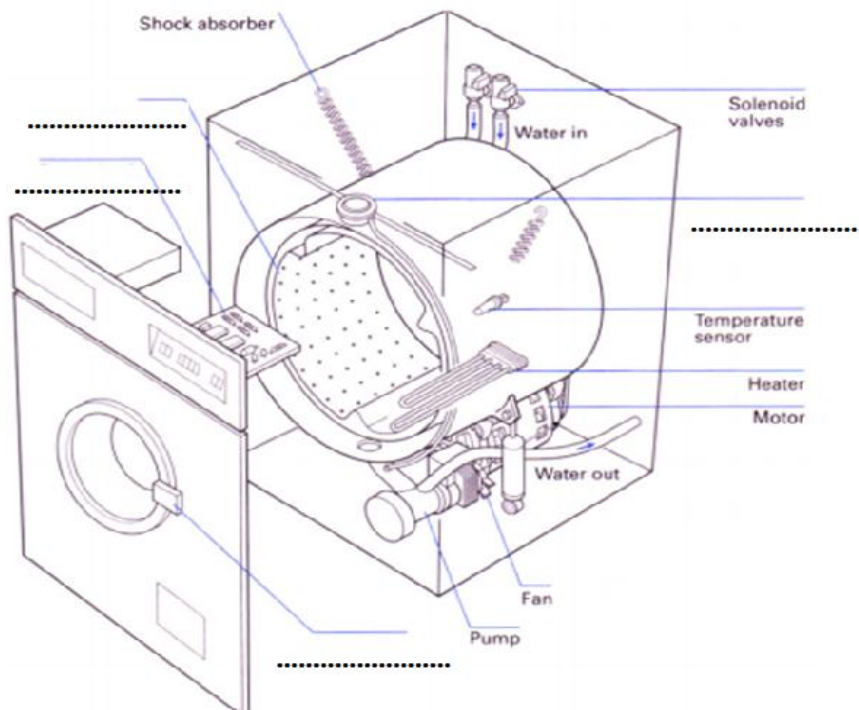
The machine will not start any program unless the door is fully closed and locked. When the door is (9)....., it completes an electrical circuit which heats up a heat-sensitive pellet. This expands as it gets hot, pushing a mechanical lock into place and closing a switch. The switch signals the (10)..... that the door is closed and locked. Only when it has (11)..... this signal will the control unit start the wash program.

**Water level**

When a wash program first starts it has to open the valves which allow the water in. There are usually two of these (12)....., one for hot water and one for cold. Each must be controlled separately depending on the (13)..... needed for that program. The valves are solenoid operated, they are opened and closed electrically.

The rising water level is checked by the water level sensor. This is a (14)..... The pressure of the air in the plastic tube rises as it is compressed by the rising water. The pressure sensor keeps the control unit (15)..... as to the pressure reached and the control unit uses the information to decide when to close the water inlet valves.

**PART 3:** Complete the graph below: (1point)



**PART 4:** Make a sentence with these words: (2points)

1- Inverter:.....

.....  
.....

2- Salary:.....

.....  
.....

3- Glove:.....

.....  
.....

4- Invention:.....

.....  
.....

5- Uniform:.....

.....  
.....

6- Salary:.....

.....  
.....

7- Mircocontroller:.....

.....  
.....

8- Electric shock:.....

.....  
.....

9- Destination:.....

.....  
.....

10- Industrial Park:.....

.....  
.....

*TP. HCM, Ngày 5 Tháng 6 Năm 2018*

**BỘ MÔN TỰ ĐỘNG**

**GIÁO VIÊN RA ĐỀ**

**TS. Đặng Đức Chi**

**Trịnh Quang Vũ**

CỘNG HÒA XÃ HỘI CHỦ NGHĨA VIỆT NAM  
Độc lập – Tự do – Hạnh phúc

**ĐÁP ÁN ĐỀ THI**  
**MÔN: ANH VĂN CHUYÊN NGÀNH**  
**LỚP: CĐTĐ16**

Mã đề thi số: AVCN\_01

Ngày thi: 12/06/2018

Thời gian: 75 phút (Không kể thời gian chép/phát đề thi)

PART	Nội dung	Điểm
1	<ul style="list-style-type: none"><li>1- K   Chuyên gia.</li><li>2- E   Bảo dưỡng, bảo trì.</li><li>3- H   Kỹ thuật điện tử.</li><li>4- A   Thang máy.</li><li>5- M   Sản xuất.</li><li>6- S   Biến đổi.</li><li>7- P   Bị thương.</li><li>8- C   Gọn gàng, ngăn nắp.</li><li>9- J   Nghề nghiệp.</li><li>10- O   Hoàn cảnh.</li><li>11- D   Nứt, vỡ.</li><li>12- F   Không an toàn.</li><li>13- L   Vị trí.</li><li>14- B   Cảm biến.</li><li>15- G   Cản trở.</li><li>16- R   Sự thu hút.</li><li>17- I   Điện một chiều.</li><li>18- N   Nghịch, đảo.</li><li>19- T   Nhiệt kế.</li><li>20- Q   Kẻ trộm.</li></ul>	<p>Mỗi từ đúng được 0.2 điểm.</p> <p>Ghi sai nghĩa tiếng Việt hoặc nói sai thì bị trừ 0.1 điểm cho mỗi câu.</p>
2	<ul style="list-style-type: none"><li>1- Plane</li><li>2- Harbours</li><li>3- Processing</li><li>4- Supermakets</li><li>5- Engineering</li><li>6- X-ray machines</li><li>7- Homes</li><li>8- Ventilation</li><li>9- Closed</li><li>10- Control unit</li><li>11- Received</li><li>12- Valves</li></ul>	<p>Mỗi từ đúng được 0.2 điểm.</p>

	<p><b>13- Water temperature</b>  <b>14- Pressure sensor</b>  <b>15- Informed</b></p>	
3		<p><b>Mỗi từ đúng được 0.2 điểm.</b></p>
4	<ol style="list-style-type: none"> <li>1- Biến tần</li> <li>2- Tiền lương</li> <li>3- Găng tay</li> <li>4- Sự phát minh</li> <li>5- Đồng phục</li> <li>6- Tiền lương</li> <li>7- Vi điều khiển</li> <li>8- Giặt điện</li> <li>9- Điểm đến</li> <li>10- Khu công nghiệp</li> </ol>	<p><b>Mỗi từ đúng được 0.2 điểm.</b></p> <p><b>Ghi sai nghĩa tiếng Việt hoặc viết câu sai quá 2 lỗi thì không tính điểm câu đó.</b></p>

TP. HCM, Ngày 5 Tháng 6 Năm 2018

**BỘ MÔN TỰ ĐỘNG**

**GIÁO VIÊN RA ĐỀ**

**TS. Đặng Đức Chi**

**Trịnh Quang Vũ**